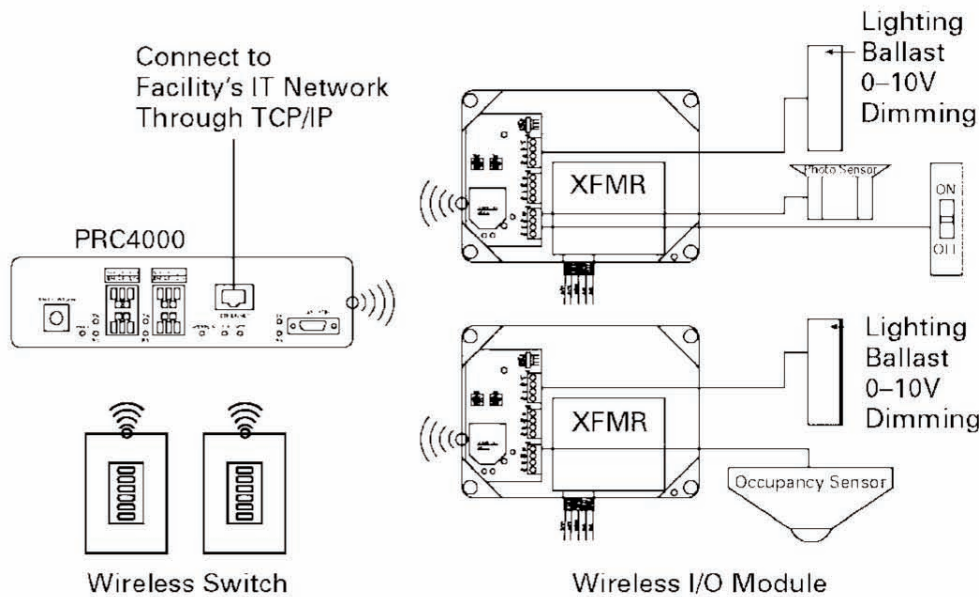




PRC4000 Pow-R-Command

The Pow-R-Command 4000 Small Building Controller and the Pow-R-Command Wireless I/O Module were designed to help lower the cost of labor and material when installing advanced controls that are needed in a robust lighting control system.



System Highlights:

- An excellent solution for retrofit, as well as new construction applications.
- Adds efficient control, time scheduling and wireless synchronization of the Pow-R-Command Wireless I/O Modules to existing line of the Pow-R-Command Lighting Control Systems.
- Uses a standard Web browser to configure, monitor and control the system.
- Utilizes wireless technology to communicate to the I/O Modules using the IEEE_802.15.4 standard.
- Adds analog and digital inputs and outputs for connectivity of occupancy sensors, photo sensors, switches, dimmable ballasts, and other devices.
- Has internal memory to store the completely customizable programming of each device.

Features—PRC4000:

- All configuration and control is done through a standard Web browser, which is accessible from any computer. No extra software is required!
- Integrated daylight harvesting algorithms and on-demand dimming.
- Astronomical time schedules that dynamically adjust to geographic location and time of year.
 - Analog and digital inputs/outputs for connectivity of switches, photo sensors, occupancy sensors, dimmable ballasts, and other auxiliary devices.

Features—Wireless I/O Module:

- The Wireless I/O Module is designed to easily mount above the drop ceiling next to any dimmable lighting ballast.
- Wirelessly communicates to the PRC4000 Small Building Controller.
- The Wireless I/O Module is powered through 120/277 Vac, which can easily be accessed from any lighting ballast.
- Integrated digital inputs and analog inputs/outputs allow advanced control of your Pow-R-Command Lighting Control System.
- Eight universal inputs (analog or digital):
 - Switches
 - Occupancy sensors
 - Demand meters
 - 0 to 5 Vdc
 - Photo sensors
- Four digital outputs:
 - Relay control
 - 125 Vac, 0.5A
 - 110 Vdc, 2A
 - 30 Vdc, 2A
- Control auxiliary devices



LEFFELECTRIC

www.leffelectric.com HQ Akron Bedford Cleveland Elyria Mentor Strongsville Warren Youngstown

216.432.3000

330.379.9800

216.591.0050

216.432.9881

440.324.5483

440.946.5448

440.572.8188

330.372.3344

330.799.1366